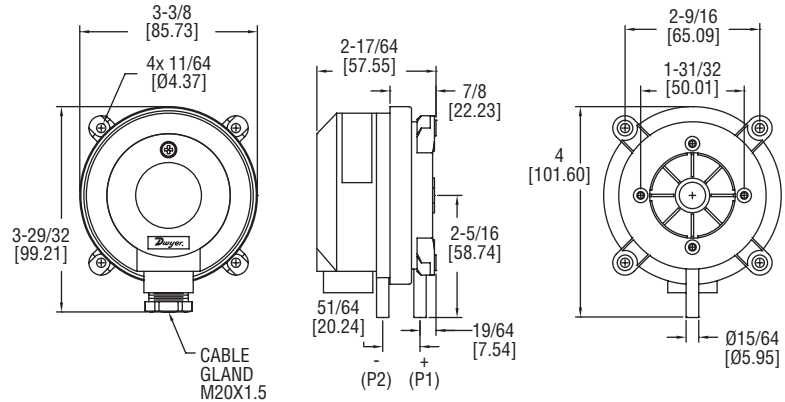


WIRELESS COMMUNICATING ADJUSTABLE DIFFERENTIAL PRESSURE SWITCH

EnOcean® Wireless Technology



The **SERIES EWDP** Wireless Communication Adjustable Differential Pressure Switch uses EnOcean® wireless technology to monitor pressure, vacuum, and differential pressures. The dual scaled adjustment knob in inches of water column and pascals allows changes to the pressure set point to be made without a pressure gage. The battery-powered switch is equipped with radio module for frequencies of 902 MHz or 868 MHz which sends a signal wirelessly to a Series USB-300 receiver at each change of status. The silicone diaphragm makes this series ideal for use with air and other non-combustible gases. The EWDP is available with settings from 0.08 in. w.c. (20 Pa) up to 20 in. w.c. (5000 Pa). The compact size, adjustment knob, and wireless capabilities make the EWDP the perfect choice for HVAC applications in temporary installations or retrofits of existing buildings.

FEATURES/BENEFITS

- Wireless ability allows for easy installation in buildings with concrete or marble walls
- No wires need to be connected, allowing for remote monitoring reduces downtime
- Dual scaled set point adjustment knob to quickly and easily set the value to activate the switch

APPLICATIONS

- Monitoring air filters and ventilators
- Monitoring industrial cooling air circuits and ventilation ducts
- Overheating protection for fan heaters
- Controlling air and fire protection dampers

SPECIFICATIONS

Service: Air and non-combustible, compatible gases.
Wetted Materials: Diaphragm material: Silicone; Housing material: POM; Switch Body: PA 6.6; Cover: Polystyrene.
Temperature Limits: Process and Ambient: 14 to 158°F (-10 to 70°C); Storage: -40 to 185°F (-40 to 85°C).
Pressure Limits: 40 in. w.c. (10 kPa).
Process Connections: 5/16" (7.94 mm) outside diameter tubing, 1/4" (6.0 mm) inside diameter tubing.
Power Requirements: (1) 3 V CR2032 lithium metal battery, installed non-functional, user replaceable (included).
Enclosure Rating: NEMA 3 (IP54).
Mounting Orientation: Vertically, with pressure connections pointing downwards.
Weight: 5.3 oz (150 g).
Agency Approvals: CE.

| MODEL CHART | | | | |
|---------------|-----------|------------------------------|---|---|
| Model | Frequency | Set Point Range in w.c. (Pa) | Approx. Deadband @ Min Set Point in w.c. (Pa) | Approx. Deadband @ Max Set Point in w.c. (Pa) |
| EWDP-08-2-L-N | 902 MHz | 0.08 to 1.20 (20 to 300) | 0.04 (10) | 0.05 (12) |
| EWDP-04-2-L-N | 902 MHz | 0.12 to 1.60 (30 to 400) | 0.06 (15) | 0.09 (22) |
| EWDP-03-2-L-N | 902 MHz | 0.20 to 2.00 (50 to 500) | 0.08 (20) | 0.09 (23) |
| EWDP-05-2-L-N | 902 MHz | 0.80 to 4.00 (200 to 1000) | 0.4 (100) | 0.5 (130) |
| EWDP-06-2-L-N | 902 MHz | 2.00 to 10.00 (500 to 2500) | 0.6 (150) | 0.8 (200) |
| EWDP-07-2-L-N | 902 MHz | 4.00 to 20.00 (1000 to 5000) | 1.0 (250) | 1.4 (350) |
| EWDP-08-2-L-N | 868 MHz | 0.08 to 1.20 (20 to 300) | 0.04 (10) | 0.05 (12) |
| EWDP-04-2-L-E | 868 MHz | 0.12 to 1.60 (30 to 400) | 0.06 (15) | 0.09 (22) |
| EWDP-03-2-L-E | 868 MHz | 0.20 to 2.00 (50 to 500) | 0.08 (20) | 0.09 (23) |
| EWDP-05-2-L-E | 868 MHz | 0.80 to 4.00 (200 to 1000) | 0.4 (100) | 0.5 (130) |
| EWDP-06-2-L-E | 868 MHz | 2.00 to 10.00 (500 to 2500) | 0.6 (150) | 0.8 (200) |
| EWDP-07-2-L-E | 868 MHz | 4.00 to 20.00 (1000 to 5000) | 1.0 (250) | 1.4 (350) |

Note: For models that include an installer kit, add -C to the end of the model number. Installer kit includes two static pressure tips and 7 ft of PVC tubing.

| ACCESSORIES | |
|-------------|---|
| Model | Description |
| A-288 | "L" type metal mounting bracket with screws |
| A-289 | "S" type metal mounting bracket with screws |
| A-480 | Plastic static pressure tip |
| A-481 | Installer kit. Includes 2 plastic static pressure tips and 7' (2.1 m) of PVC tubing |
| A-489 | 4" straight static pressure tip with flange |
| USB-300U | USB wireless receiver, 902 MHz |
| USB-300 | USB wireless receiver, 868 MHz |